



BOX-1

Electronics Box Assembly

Thank you for purchasing our electronics box. Please attach brackets on the sides of the electronics box and the rear partition. Electronics box should sit flush on the floor of the vehicle – this makes it easier to reattach door when removed for maintenance.

Please reach out with any questions – I enclosed my card and my cell is 732-708-0077.

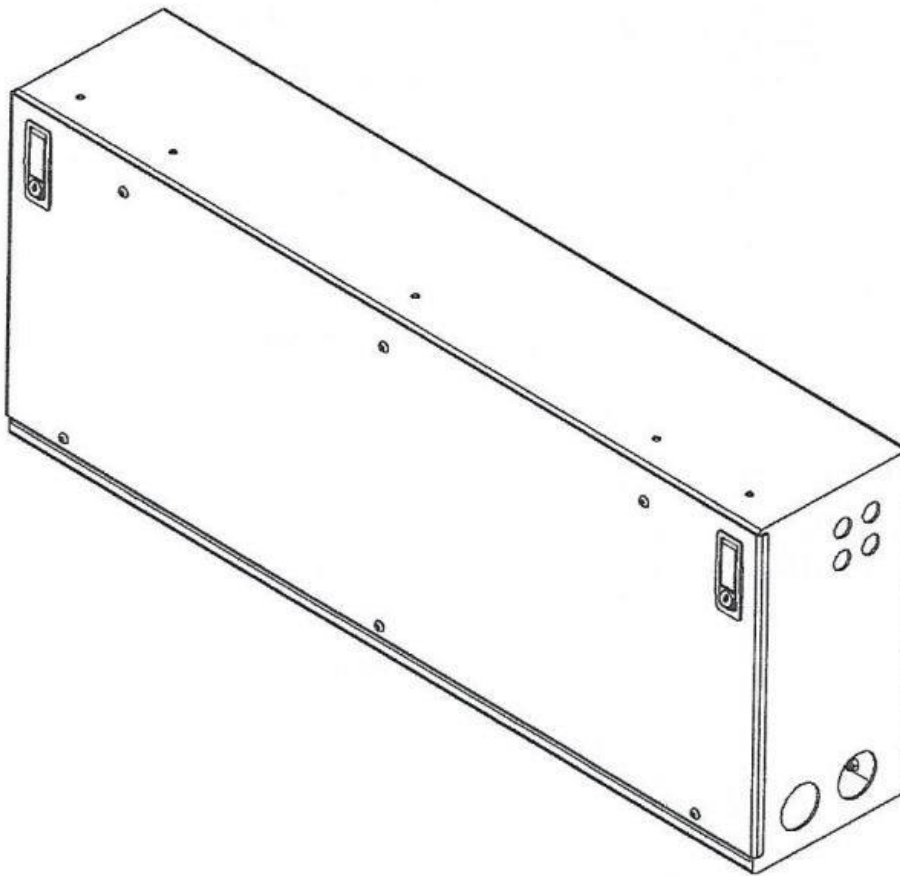
Best,

Roman Lesko
CargoRAXX

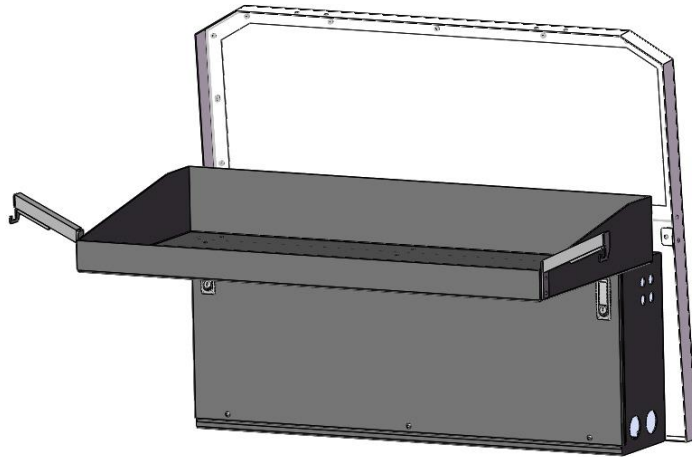
Thank you!
Roman Lesko

Questions or Feedback: Call 1-844-867-7299 or
Email sales@cargoraxx.com


CARGORAXX™
ELECTRONICS BOX
ASSEMBLY GUIDE



Note: holes on top for CargoRAXX tray



Large Tray on Box

Door Plate



Questions or Feedback: Call 1-844-867-7299 or
Email sales@cargoraxx.com

Mounting Brackets



Line Up Mounting Brackets where desired on outside of box and secure to partition. Please install box flush to the floor.